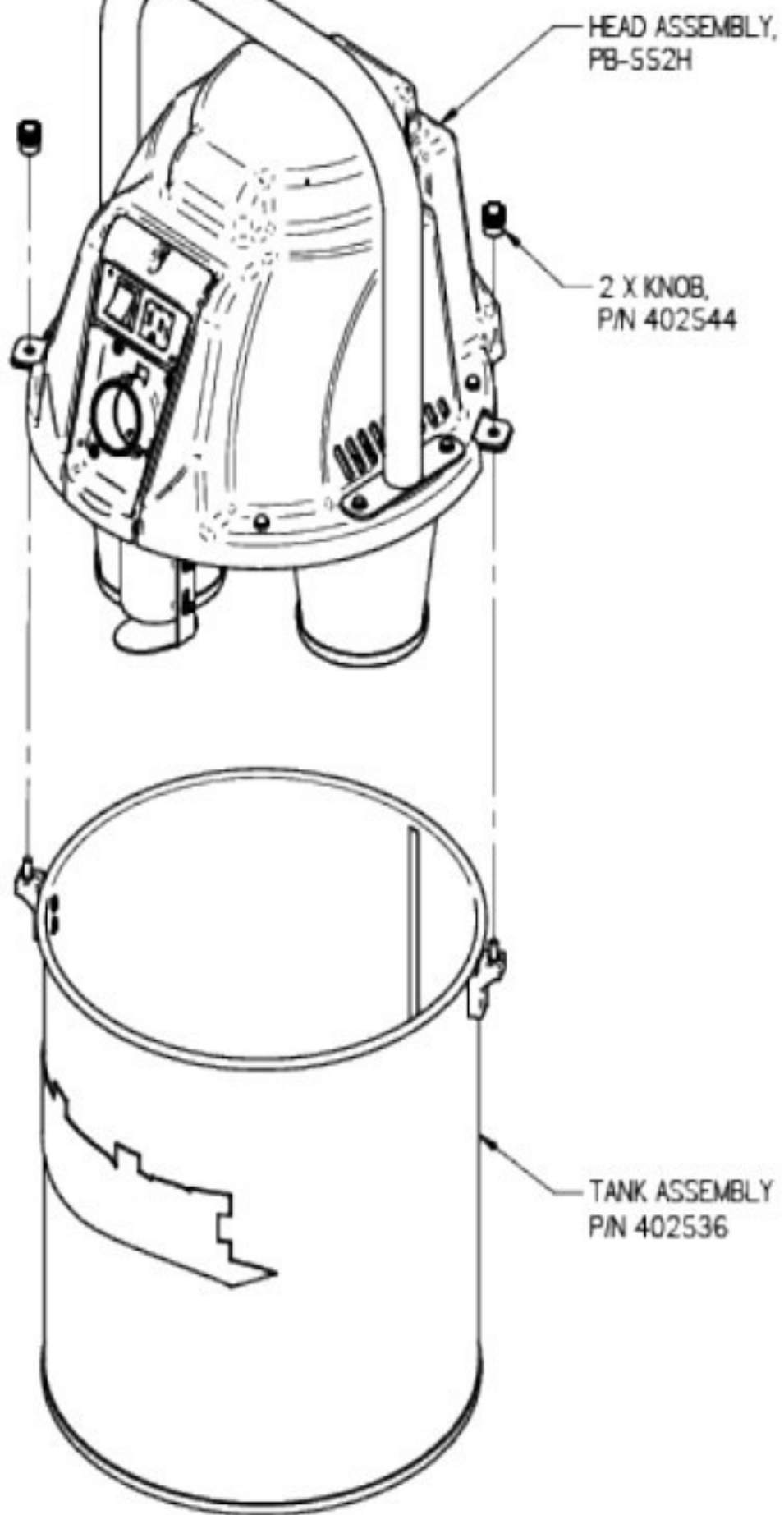
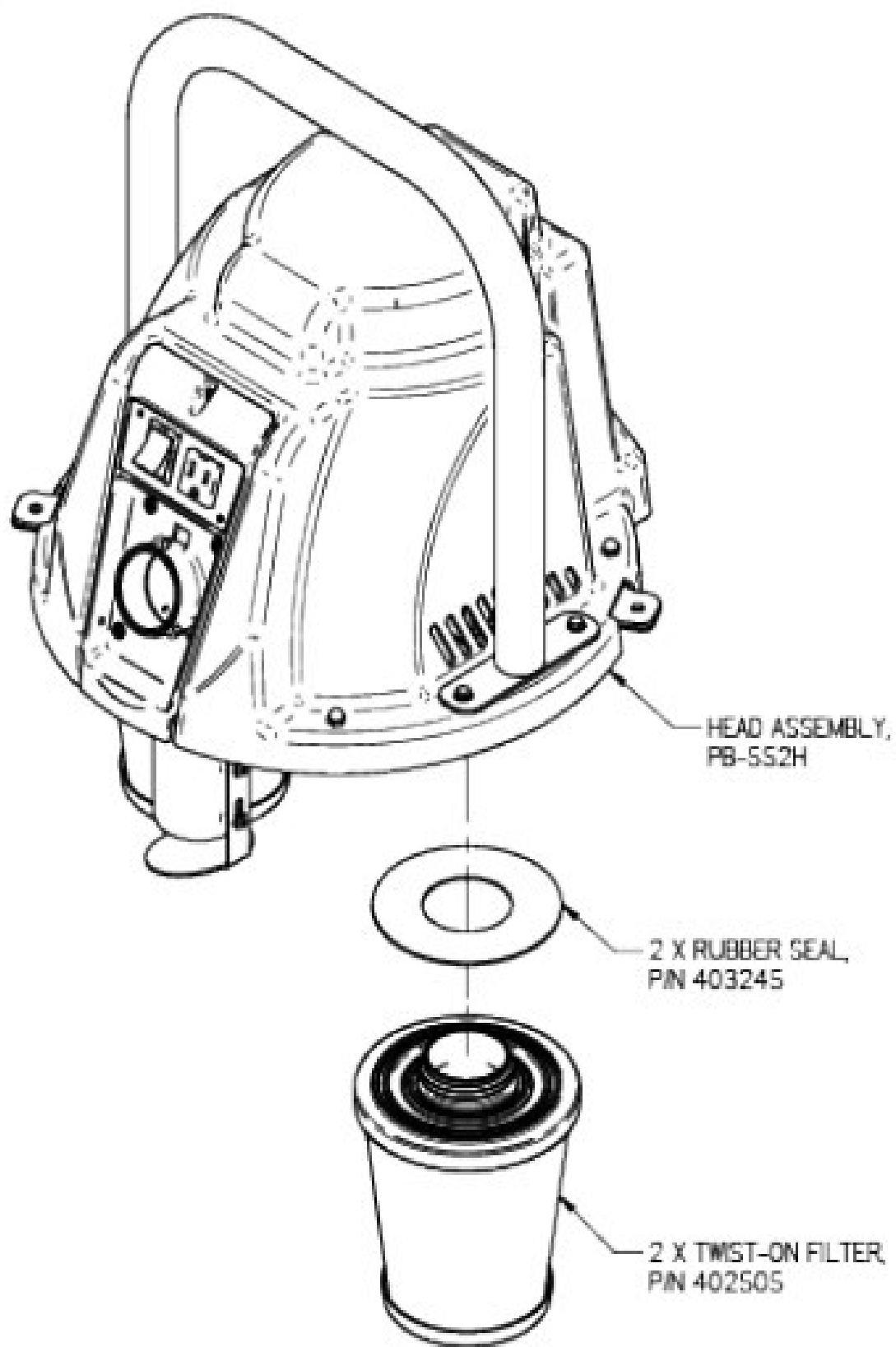


Figure 2



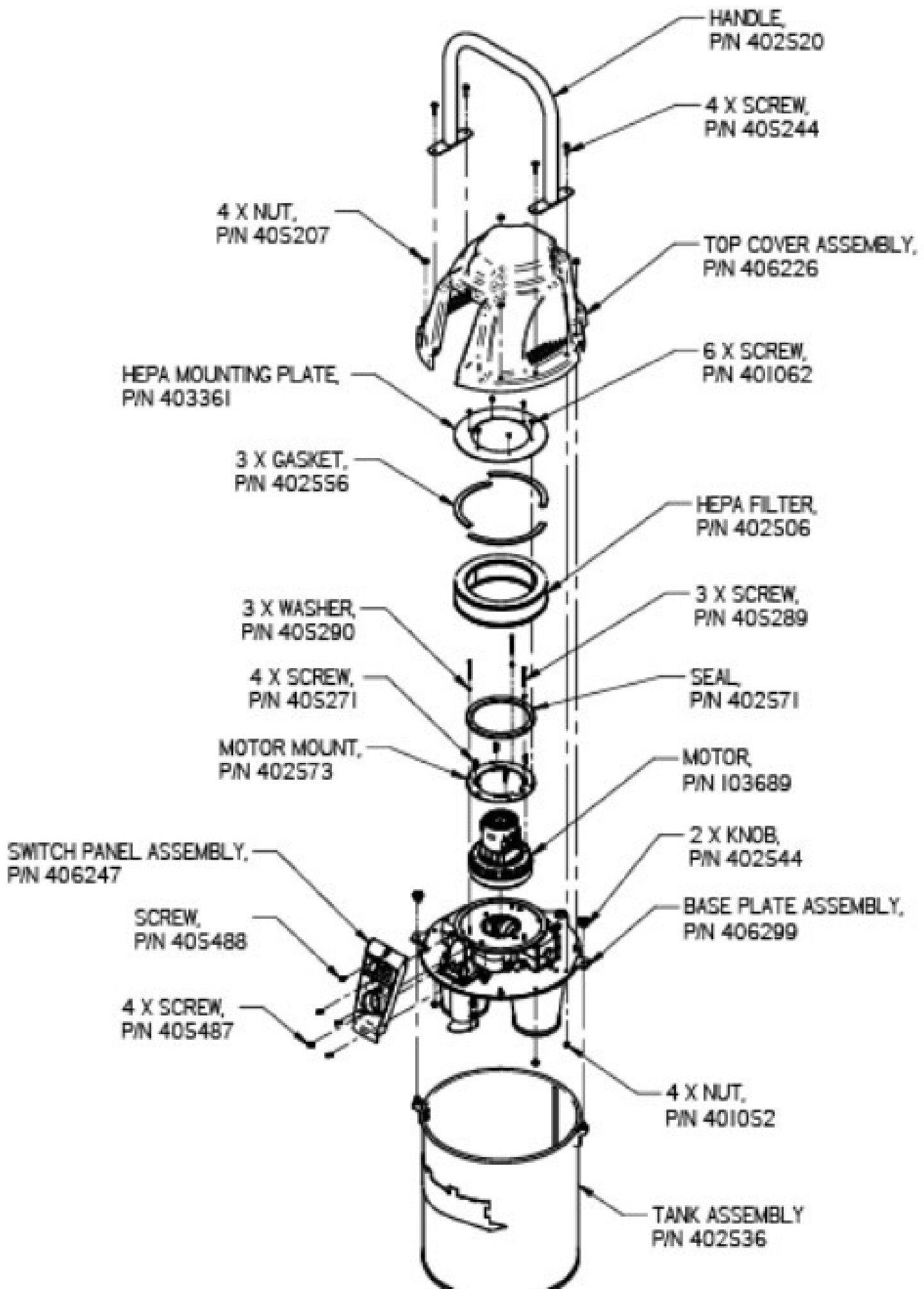
**HEAD REMOVAL**

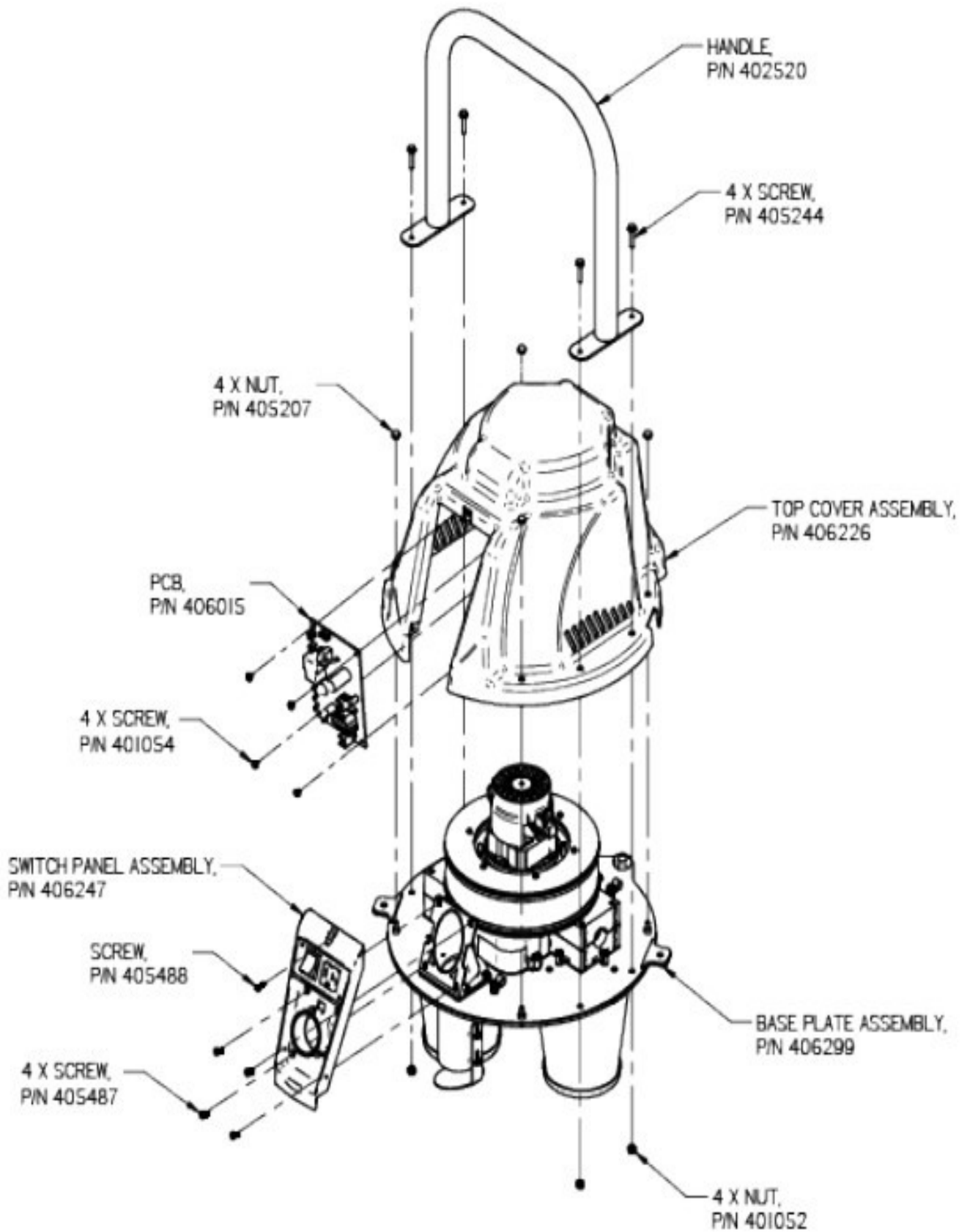
**Figure 3**



## **FILTER REPLACEMENT**

Figure 4





## PCB REPLACEMENT